

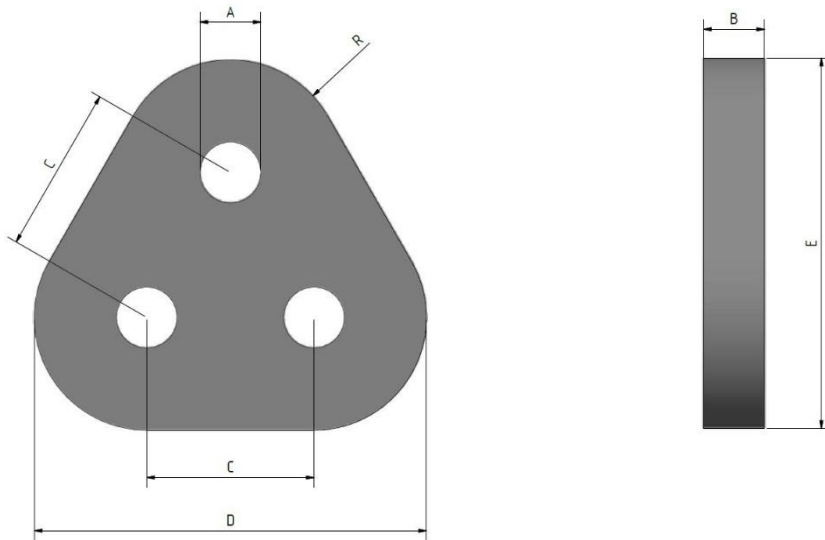
Plates



Tri Plate

DNV-GL Type Approved

Offshore accessory to be used for Temporary, Mobile and Long Term Mooring



SWL to	A	B	C	D	E	R	MBL to
17	47	35	120	270	254	75	85
25	55	40	150	310	290	80	125
35	60	50	160	360	339	100	175
55	75	70	210	440	412	115	275
85	90	80	230	520	489	145	425
120	110	100	280	640	602	180	600
150	115	110	320	710	667	195	750
175	115	110	320	730	687	205	875
200	140	120	390	840	788	225	1000
250	150	140	390	890	838	250	1250
300	160	150	420	940	884	260	1500
400	185	200	490	1110	1044	310	2000
500	200	200	550	1290	1216	370	2500
700	220	260	600	1400	1320	400	3500



Type Approved by: DNV-GL for 95, 105, 114, 120 mm chain in R4
 Application: Temporary, Mobile and Long Term Mooring
 Manufactured & Tested: in Germany by Feubo
 Material: Forged Steel – Grades R 4, R5